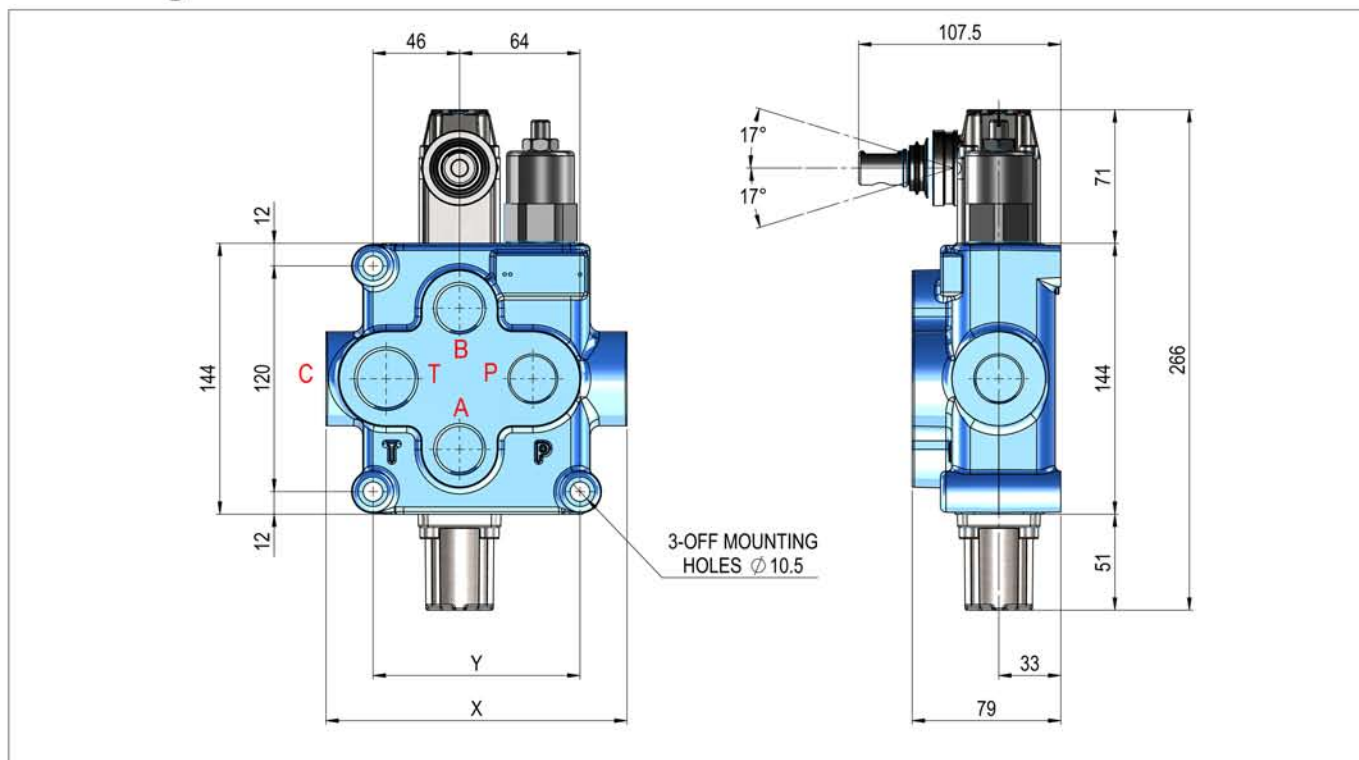
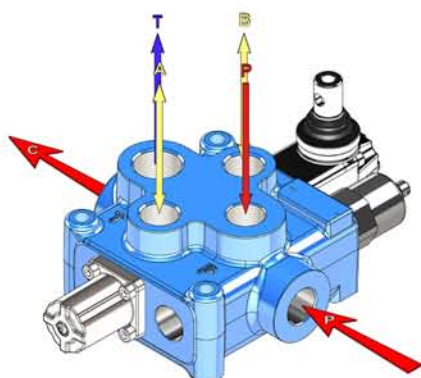


# MONOBLOCK VALVES

## MB6 Range



Part No	X (mm)	Y (mm)	Inlet P	A & B	Outlet T & C
MB6/1	160	110	3/4 BSP	3/4 BSP	1"
MB6/2	175	145	3/4 BSP	3/4 BSP	1"
MB6/3	220	190	3/4 BSP	3/4 BSP	1"
MB6/4	265	235	3/4 BSP	3/4 BSP	1"



### Note!

When using the pressure carry over facility you must install the plug provided inside the carry over port and the tank port must also be connected as normal.

Nominal Flow Rate		120 L/min
Operating Pressure (Max)	Parallel or tandem circuit	315 bar
	Series circuit	210 bar
Back Pressure (Max)	On outlet port T	25 bar
Fluid Temp Range	With NBR (BUNA-N) seals	From -20°C to 80°C
Viscosity	Min	12 mm <sup>2</sup> /s
	Max	400 mm <sup>2</sup>
Ambient Temp Range		From -40°C to 60°C